

1. PRODUCT NAME

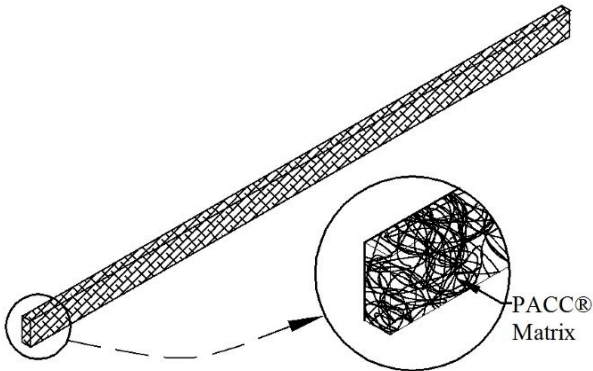
PACC® Matrix

2. MANUFACTURER

PACC Systems, LLC
3790 Sagebrush Lane
Cincinnati, OH 45251
Phone: 513-245-0444
Fax: 513-385-3790
Tech Support: 513-404-0977
E-mail: info@paccsystems.com
Web: www.paccsystems.com

3. DESCRIPTION

PACC® Matrix is an extruded polymer matrix of angled monofilaments. It is used in PACC® Liner installations to maintain the continuity of the compartmentalized cavities where they are interrupted under and at the bearing ends of angle irons; around wall penetrations; at wall areas where the studs do not align vertically from lower to upper framing areas; above arched windows and doors and; at multi-sided bays.



4. LIMITATIONS

None when used for the design purpose.

5. MATERIALS AND COMPOSITION

PACC® Matrix is a polymer monofilament.

6. PHYSICAL PROPERTIES

Thickness .075

7. CHEMICAL RESISTANCE

Not reactive with common building materials.

8. TECHNICAL DATA

PACC Systems, LLC provides design data and installation instructions to architects, engineers, specifiers, and contractors.

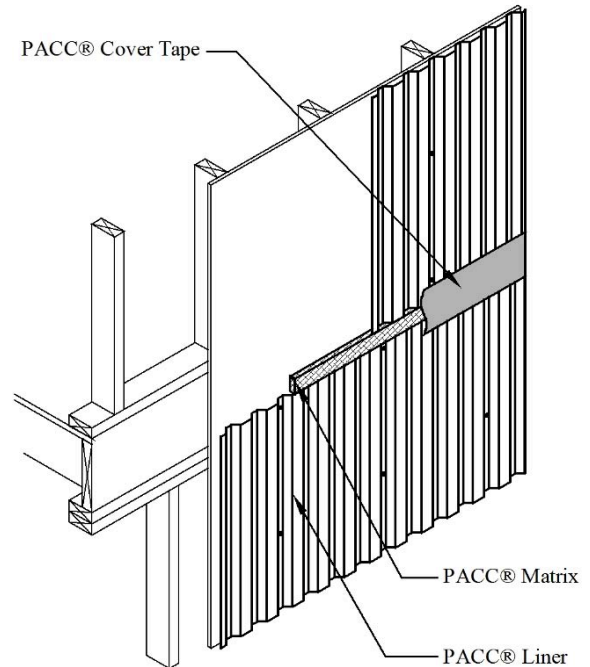
9. INSTALLATION

Because use of the Matrix is specific to use with the PACC® Liner, instructions concerning installation of the PACC® Liner are part of these installation instructions.

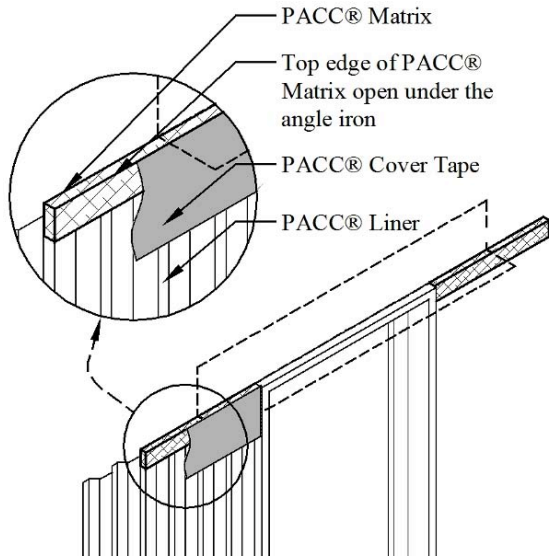
Storage: Protect the material from heat, crushing, moisture, mud and construction dirt. Keep the product in the box until it will be used.

Product Attachment and Cover:

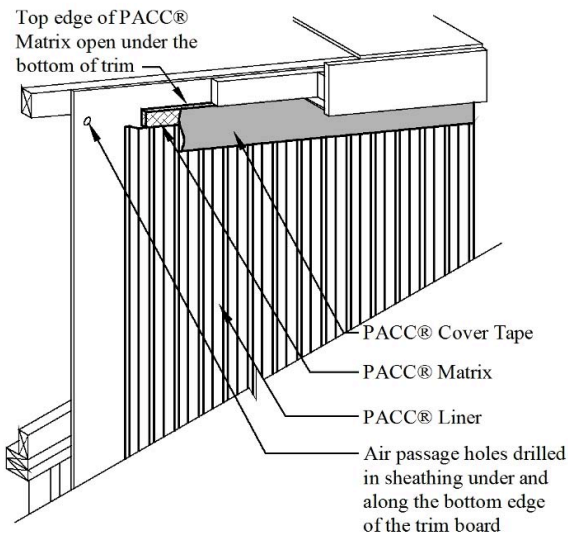
Attach the PACC® Matrix to the backing wall with fasteners suitable for the substrate. After the PACC® Liners have been installed under over and or around the PACC® Matrix cover the face of the PACC® Matrix and face of the PACC® Liner with Cover Tape. Cover tape is a 6-inch wide acrylic tape and is ordered separate from the PACC® Matrix.



Where there will be PACC® Liners are immediately above and below the PACC® Matrix, install the PACC® Matrix and then the PACC® Liner and cover the face of the PACC® Matrix and 2-inches of the PACC® Liners with Cover Tape.

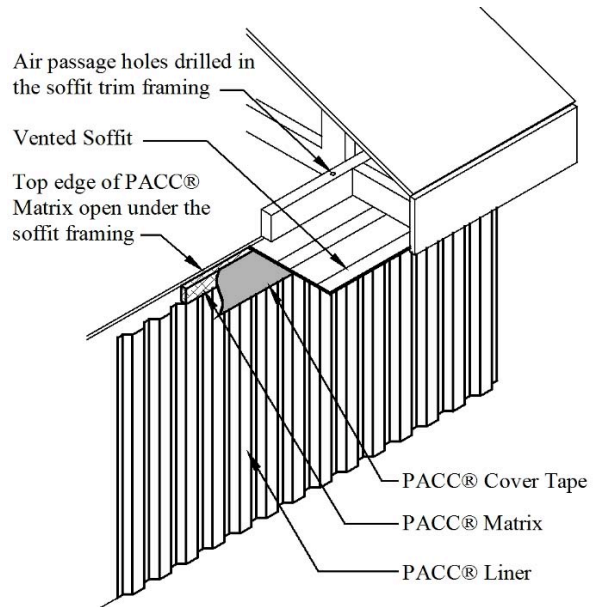


Where there will be PACC® Liners below the PACC® Matrix at the under the end of an angle iron, install the PACC® Matrix and then the PACC® Liner and cover the face of the PACC® Matrix and 4-inches of the PACC® Liner with Cover Tape. Leave the top edge of the PACC® Matrix open.

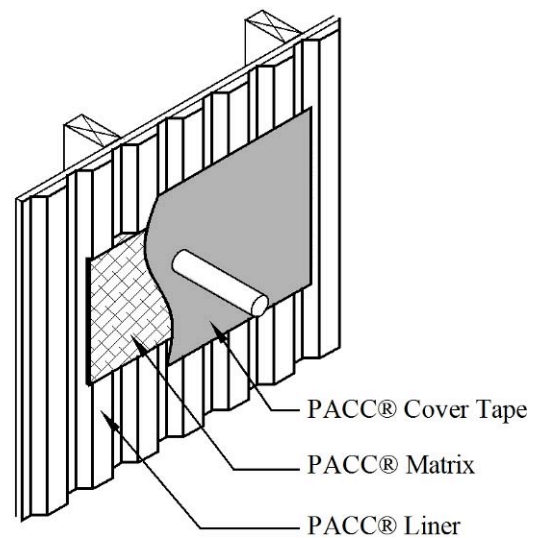


Where there will be PACC® Liners ending along the underside of a non-vented trim framing and in front of an unconditioned and vented space, install PACC® Matrix along the underside of the trim framing and then install the PACC® Liners. Cover the face of the PACC® Matrix and 4-inches of the PACC® Liner with Cover Tape. Leave the top edge of the PACC® Matrix open. NOTE: Drill 3/4-inch air passage holes at 16-inch spacing and through the sheathing along and under where the bottom edge of the trim will be. These holes will be the passageway

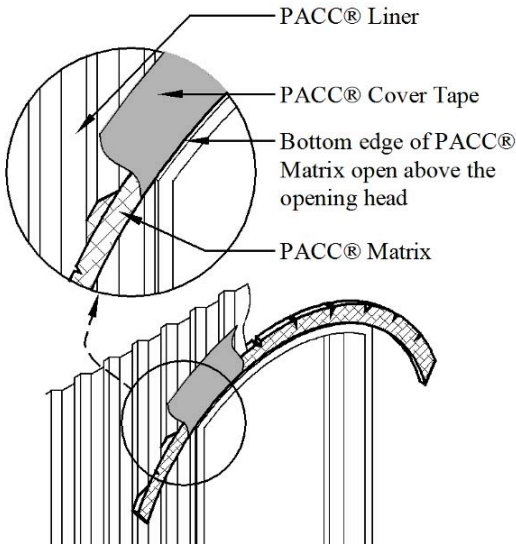
for air to vent from the cavity and into the unconditioned and vented space.



Where there will be PACC® Liners ending along the underside of vented roof soffit framing or into a vented and unconditioned space, install PACC® Matrix along the underside of the soffit framing and then install the PACC® Liners. Cover the face of the PACC® Matrix and 4-inches of the PACC® Liner with Cover Tape. Leave the top edge of the PACC® Matrix open. NOTE: Drill 3/4-inch holes through the soffit and or soffit framing at 16-inch spacing and as close to the wall as possible. These holes will be the passageway for air to vent from the cavity and into the vented soffit or unconditioned and vented space.



Where there will be PACC® Liners around all sides of the PACC® Matrix at wall penetrations install the PACC® Matrix and then the PACC® Liner. Cover the face of the PACC® Matrix and a minimum of 2-inches of the adjoining PACC® Liner with Cover Tape.



Where there will be PACC® Liners above the arch of an opening, window, or door install the PACC® Matrix and then the PACC® Liner. Cover the face of the PACC® Matrix and a minimum of 2-inches of the adjoining PACC® Liner. Leave the bottom edge of the PACC® Liner open.

Safety: Material Safety Data Sheets are available by phone, e-mail, or from the website.

10. AVAILABILITY AND COST

16" x 16" x 3/4" pads are packaged in boxes of 10.
2" x 3/4" x 50' rolls are packaged in boxes of 4.

Information about a distributor near you is available by phone or e-mail.

11. GUARANTEE

PACC® Matrix will meet published specifications at the time of delivery.

12. TECHNICAL SERVICES

PACC Systems, LLC offers specialist advice to aid the architect, engineer, and contractor with the construction process.

© PACC Systems I.P. LLC 2007